

INSTRUCTION MANUAL

FOR

REFIGERATED

BENCH TOP CENTRIFUGE

Z 300 K

Hermle Labortechnik GmbH
Gosheimer Str. 56
D - 78564 Wehingen/Germany

Phone: +49 (74 26) 96 22-0
Fax: +49 (74 26) 96 22-49

INDEX	Page
1. General Information	
1.1 Precautions and hazards	3 E
1.2 Description	4 E
1.3 Safety standards	4 E
1.4 Technical data	5 E
1.5 Accessories supplied with each centrifuge unit	6 E
1.6 Warranty	6 E
2. Installation	
2.1 Unpacking the centrifuge	6 E
2.2 Transport	6 E
2.2 Required space	6 E
2.3 Installation	7 E
3. How to install and load a rotor	
3.1 Mounting and securing a swing out rotor	7 E
3.2 Mounting and securing an angle rotor	8 E
3.3 Mounting and securing a hematocrit rotor	8 E
3.4 Overloading of rotors	9 E
3.5 Removing of the rotor	9 E
4. Operation	
4.1 Power switch	10 E
4.2 Lid release	10 E
4.3 Lid lock	10 E
4.4 Preselection of speed / RCF-value	11 E
4.5 Preselection of operating time	12 E
4.6 Preselection of temperature and pre-cooling	13 E
4.7 Preselection of brake intensity and acceleration	14 E
4.8 Keyboard - Starting the centrifuge - "quick"-key	15 E
4.9 Key "stop"	15 E
5. Temperature Feature	
5.1 Temperature regulation	16 E
6. Safety facilities	
6.1 Imbalance	16 E
6.2 Overtemperature	16 E
7. Service and Maintenance	
7.1 Service and inspection of the centrifuge	17 E
7.2 Cleaning the centrifuge	17 E
7.3 Cleaning the centrifuge after breakage of glass tubes/bottles	18 E
7.4 Disinfection	18 E
8. Breakdown	
8.1 Emergency lid release	18 E
8.2 Check list / Trouble shooting	19 E

1. General Information

1.1 Precautions and hazards

Before putting the centrifuge into operation, please read this instruction manual carefully.

The centrifuge must not be operated by unqualified persons not familiar with the correct use and intended purpose of the machine. Please use only the original spare parts.

For personal and environmental safety, special attention has to be paid to the following precautions:

The Hermle Centrifuges are neither explosion proof nor inert gas shielded and should therefore never be operated in explosion-hazardous locations.

Never stay in the safety zone of 30 cm around the centrifuge or deposit dangerous goods inside this zone during centrifugation.

The centrifugation of the flammable or explosive or radioactive samples is not allowed.

Furthermore do not spin samples reacting chemically with each other with high energy when exposed to air.

Never spin toxic or pathological material without adequate safety precautions i.e. centrifuging of buckets/tubes without or with defective hermetic sealing is not allowed.

The end user is engaged to perform appropriate disinfection procedures in case dangerous goods have contaminated the centrifuge or its accessories.

The general universal laboratory precautions should be observed in case infectious materials are centrifuged. If necessary, please contact your local security officer!

It is prohibited to run the centrifuge with rotors not suited for this centrifuge model. Under no circumstances, the lid of the centrifuge should be opened while the rotor is still turning respectively running with a speed of more than 2 meter per second.

The following rules must be strictly adhered to:

Do not operate the centrifuge in case it is not installed correctly.

Never operate the centrifuge in a dismantled state (e.g. without covering sheet metal)

Do not run the centrifuge when electrical or mechanical assembly groups have been tampered with by unauthorized persons.

Never use accessories such as rotors and buckets which are not exclusively approved by **Hermle Labortechnik GmbH**, except commercially available centrifuge tubes of glass or plastic.

Do not spin corrosive samples which may cause damages in material and impair the mechanic resistance.

never operate the centrifuge with rotors or buckets which show any signs of corrosion or mechanical damage

The manufacturer is only responsible for the security and reliability of the centrifuge if:

The unit is operated according to the instruction manual.

Modifications, repairs and new adjustments are performed by HERMLE authorized persons and the electrical installation of the location where the centrifuge is operated corresponds to the IEC-regulations.

1.2 Description

The Z 300 K is a refrigerated universal centrifuge which covers many fields of applications by offering a wide range of accessories.

The centrifuges are equipped with the Hermle Standart-Control panel.

Speed, RCF - value, running time and temperature are set with easy to use control knobs.

The precise parameters selected are shown on the large digital LED display.

The refrigeration system is CFC free.

By offering a wide range of accessories, the centrifuge covers many fields of applications.

1.3 Safety standards

The centrifuge corresponds to the general requirements set by German law for medical apparatus, "MedGV" group 3.

The following standards have been considered for the production of our centrifuges:

- Accident prevention rules for centrifuges, UVV-VBG 7z.
- Accident prevention rules for electrical equipment & installations, UVV-VBG 4.
- Accident prevention rules for cooling systems, UVV-VBG 20
- International Standard IEC 1010-1 and IEC 1001-2-D
- European Standard PR EN 61010-1 and PR EN 61010-2-2
- Electrical interference suppression according to interference degree B as per VDE 0871.

1.4 Technical data

Manufacturer	Hermle Labortechnik GmbH	
Type	Z 300 K	
Dimensions:		
Width	42 cm	
Depth	66 cm	
Height	33,5 cm	
Weight	75 kg	
Noise level	60 dB(A)	
Max. speed	13.500 rpm	
Max. Volume	1 000 ml	
Max. RCF	17310 x g	
Admiss. density	1,2 kg/dm ³	
Admiss. kinetic energy	3 740 Nm	
Electrical connection	230 V/50 Hz 1Ph	120 V/60 Hz 1Ph
Current	5,6 A	8,0 A
Connected load	1288 Watt	960 Watt
Interference suppression	VDE 0871, interference degree B	
Service dept. at Hermle	## 49 (0) 74 26 / 96 22 55	
Address of service:	_____ _____ _____	
Address of agent:	_____ _____ _____	

1.5 Accessories supplied with each centrifuge unit

2 Replacement fuses, 1 Instruction manual, 1 Tool for removing the rotor

1.6 Warranty

The centrifuge has been subjected to thorough testing and quality control.

In the unlikely event of any manufacturing faults occurring, the centrifuge and rotors are covered by warranty for a period of one year from date of delivery.

This warranty becomes invalid in case of wrong operation, use of non-appropriate spare parts or accessories and non-authorized modification of rotor or centrifuge.

The manufacturer reserves the right for any technical modifications of the product in respect to technical improvement.

2. Installation

2.1 Unpacking the centrifuge

The centrifuge is supplied in a carton on a pallet. Remove the tightening straps . Open the carton, take off the packing and remove the carton.

The instruction manual and the accessories mentioned under 1.5 should be kept with the centrifuge.

2.2 Transport

Avoid impacts during transportation and do not drop the unit to preserve it from being damaged.

2.3 Required space

The centrifuge should be installed on a rigid, even surface. The Z 400 K should only be operated on a stable laboratory table/cabinet etc..

Balance the centrifuge with a spirit level.

To guarantee the necessary heat dissipation, the unit has to be placed in that way, that there is a space of minimum 15 cm on each side of the unit.

Never place the centrifuge in positions subject to excessive heat, e.g., strong sunlight, as the performance of the unit is based upon an ambient temperature of +23°C.

Attention:

The new safety rules require a safety operation cycle of 30 cm around the centrifuge. Mark this area to indicate that no person and no dangerous material (e.g. comprising inflammable or infectious liquids) are present during centrifugation.



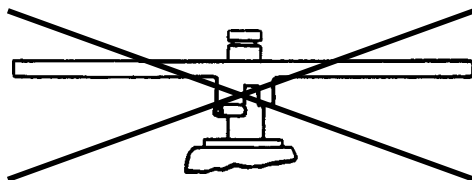
2.4 Installation

- Check that the power supply corresponds to that on the manufacturer's rating label which is mounted on the rear panel, then connect the power cord to the centrifuge and the socket.
- The line voltage circuit breaker is maximum a 16 Amp. type K slow release for commonly used instruments.
- That an emergency switch is installed outside the room to disconnect the power supply in case of a troubled run
- The power switch is at the rear side of the unit. Plug in the power cord.
- The digital indications on the display are lighting up.
- Press key "lid". You can open the centrifuge lid now (see chapter 4.2).

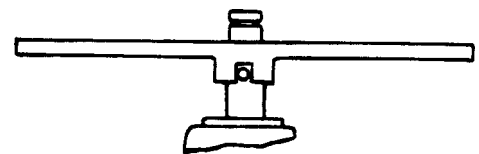
3. How to install and load a rotor

3.1 Mounting and securing a swing out rotor

Clean the motor shaft, as well as the rotor mounting hole with a piece of cloth and place the rotor on the motor shaft ensuring that the pins align correctly with the rotor slots (see sketch 1).



Incorrect



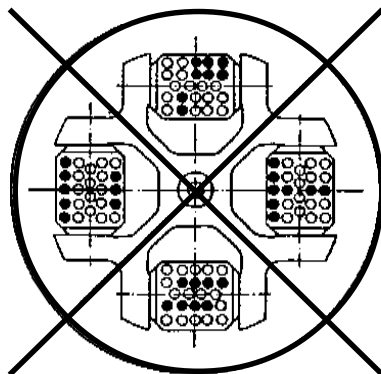
Correct

sketch 1

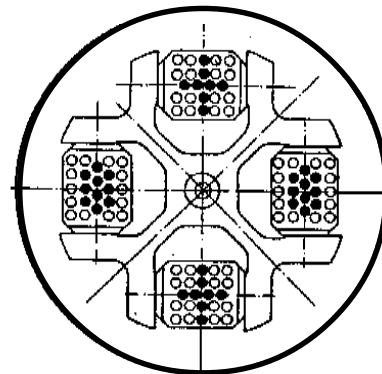
Hold the rotor with one hand and secure the rotor to the shaft by turning the rotor nut counter-clockwise.

When loading the buckets and tube racks you should proceed according to sketch 2. It is very important to load the rotor with the complete set of buckets/tube racks. **The bucket insert bolts of the rotor should be regularly greased with silicone grease.**

Fill the tubes equally by eye-measuring and insert them into the tube-holes or tube racks. The difference in weight between the buckets should not exceed 10 grams.



Incorrect



Correct

sketch 2

It is also allowed to operate for example a 4-place swing out rotor with 2 loaded and 2 unloaded buckets, but it is important that the loaded buckets are then opposite each other.

3.2 Mounting and securing an angle rotor

Clean the motor shaft, as well as the rotor mounting hole with a piece of cloth and place the rotor on the motor shaft ensuring that the pins align correctly with the rotor slots (see page 7 E / sktech 1).

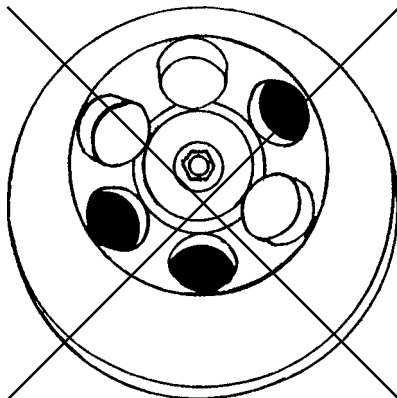
Hold the rotor with one hand and secure the rotor to the shaft by turning the rotor nut counter-clockwise.

ATTENTION!

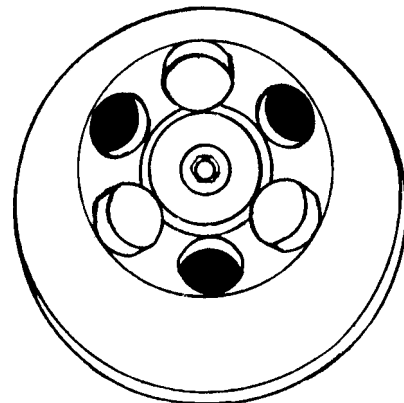
Before operation, secure the rotor lid to the rotor by pressing the snap connector on the rotor nut. Load the rotor according to sketch 3.

Fill the tubes equally by eye-measuring and insert them into the tube-holes of the rotor. The difference in weight between the tubes should not exceed 2 - 3 grams.

It is also allowed to operate a 6-place rotor with 2 or 4 loaded tubes only, but it is important that the 2 or 4 occupied bore-holes are opposite each other (see figure 1a and 1b). When using tubes without lid in angle rotors please note that the tubes should only be filled partly i.e. 60-75% of the maximum tube volume.



Incorrect



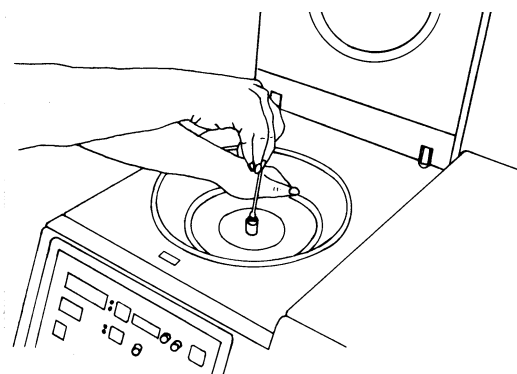
Correct

sketch 3

3.3 Mounting and securing a hematocrit rotor

Clean the motor shaft and the rotor mounting hole with a piece of cloth and place the rotor on the motor shaft ensuring that the pins align correctly with the rotor slots.

Hold the rotor with one hand and secure the rotor to the shaft by turning the rotor nut counter-clockwise.



When loading the rotor, make sure that the sealing is in good condition. The rubber should not be brittle, dirty or damaged by the capillaries. If necessary replace the sealing (order number of the sealing : 23-5147).

To remove or to close the rotor lid press both locking bolts together.

3.4 Overloading of rotor

The max. load permitted for a rotor, which is determined by the manufacturer, as well as the max. speed allowed with the rotor (see indications on the rotor itself) must not be exceeded.

The liquids with which the rotors are loaded should have an average homogeneous density of 1,2 g per ml or less, when the rotor is running at maximum speed.

To spin liquids of a higher density, the speed should be reduced according to the following formula:

Reduced speed $n_{red} = \sqrt{\frac{1,2}{\text{higher density value}}} \times \text{max. speed } (n_{max})$

Example : $n_{red} = \sqrt{\frac{1,2}{1,7}} \times 4000 = 3360 \text{ rpm}$

In case of any questions please contact the manufacturer!

3.5 Removing of the rotor

Take off the rotor lid and hold the rotor with one hand. Turn the rotor nut clockwise, until the rotor is loose and take the rotor vertically off the shaft.



ATTENTION:

Never operate the centrifuge with rotors or buckets which show any signs of corrosion or mechanical damage.

Never operate with strongly corrosive materials which could damage rotor and buckets.

4. Operation

4.1 Power switch

Connect the cord plug to the appropriate wall socket.
After connecting the digital displays will light up.
The control panel is equipped with a stand by function.

4.2 Lid release

When the green control lamp (1) of the key "lid" (2) lights, the rotor stands still and the centrifuge lid is ready to open.
Press key "lid" (see figure 5) to open the lid. The green control lamp will extinguish as soon as the lid will be opened or the unit started.

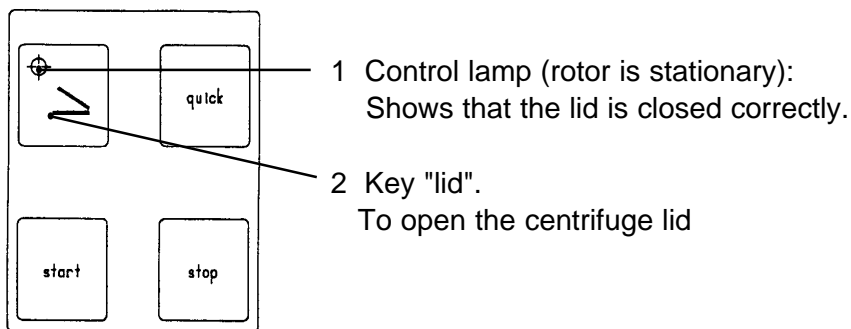


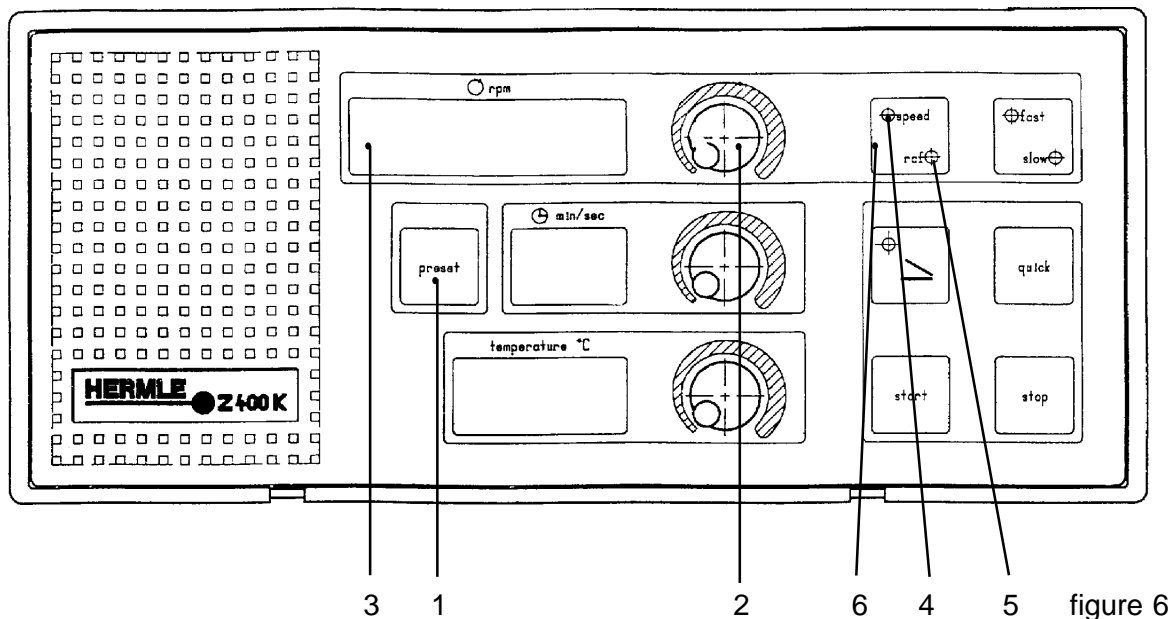
Figure 5

4.3 Lid lock

Close the centrifuge lid, after the rotor has been fixed correctly as described.
The centrifuge can only be started when the lid is closed correctly.
The green control lamp of the key "lid" will light as soon as the lid is closed correctly.
When the rotor starts accelerating the control lamp of the key "lid" extinguishes and the lid cannot be opened.

4.4 Preselection of speed / RCF

You can preset the speed between 250 rpm and 13500 rpm and RCF-value between 500 and 18000 x g.



When the centrifuge lid is open, you can preset the required speed or rcf with the knob(2).

If the centrifuge lid is closed and during the run, the speed can be changed as follows:

Press key "preset" (1), hold it and at the same time change speed with the knob (2).

The preselected speed will be indicated in the speed display (3).

With the key "speed/rcf" (6) you can change indication from speed to rcf-value.

The two green control lamps (4 or 5) show which mode is active.

The centrifuge will accelerate only to the max. allowed speed of the inserted rotor.

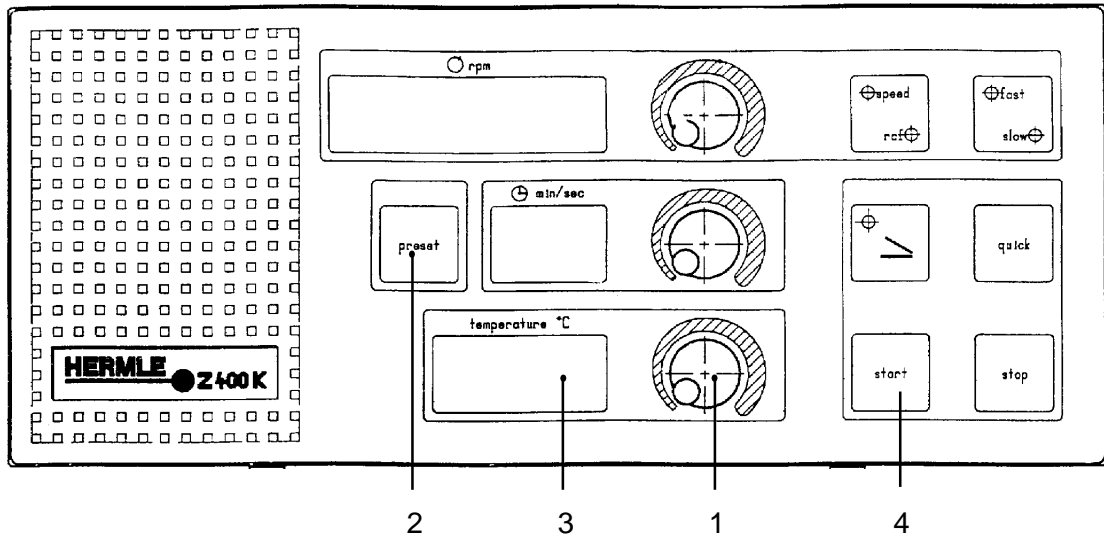
The allowed max. speed for all rotors please see table under.

Z 300 K

Rotor	max. Speed	Rotor	max. Speed
220.59 V06	13 500 rpm	220.50 V06	3 500 rpm
220.81 V05	3 500 rpm	220.96 V02	6 000 rpm
220.97 V02	6 000 rpm	220.89 V01	12 000 rpm
221.04 V01	5 000 rpm	221.05 V01	4 000 rpm
220.72 V04	4 000 rpm		

4.5 Preselection of operating time

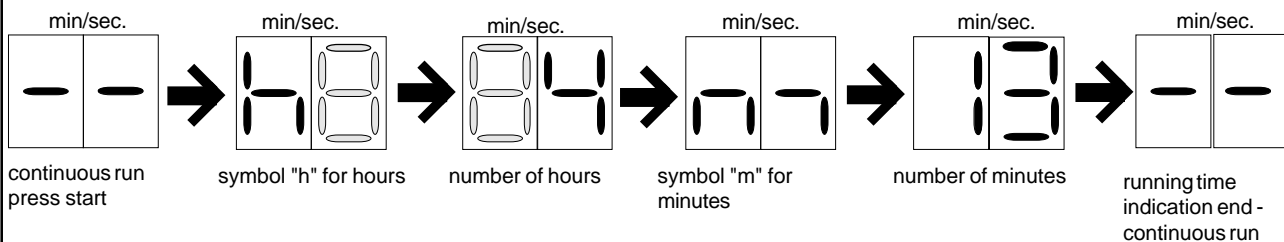
You can adjust the desired operating time between 1 and 60 minutes or hold. With the centrifuge lid open you can preset the operating time with the knob (3). During the run and with the centrifuge lid closed you have to press additionally key "preset" (1), hold it and change operating time by turning the knob (3). The preselected running time will be indicated on the time display (5). At the end of a run the preset operating time will be kept for further runs.



For continuous runs turn the knob clockwise to the limit stop. The continuous run will be indicated on the digital indication with two minus signs "--".

You can check the operating time during a continuous run as the follows:

- Press the button (4) start.
After this the operating time will be automatically in the follow sequence indicated:
For example 4 hours and 13 minutes operating time:



Attention: to check the operating time you have to wait one minute after start

You can stop a continuous run with key "stop".

4.6 Preselection of temperature and pre-cooling

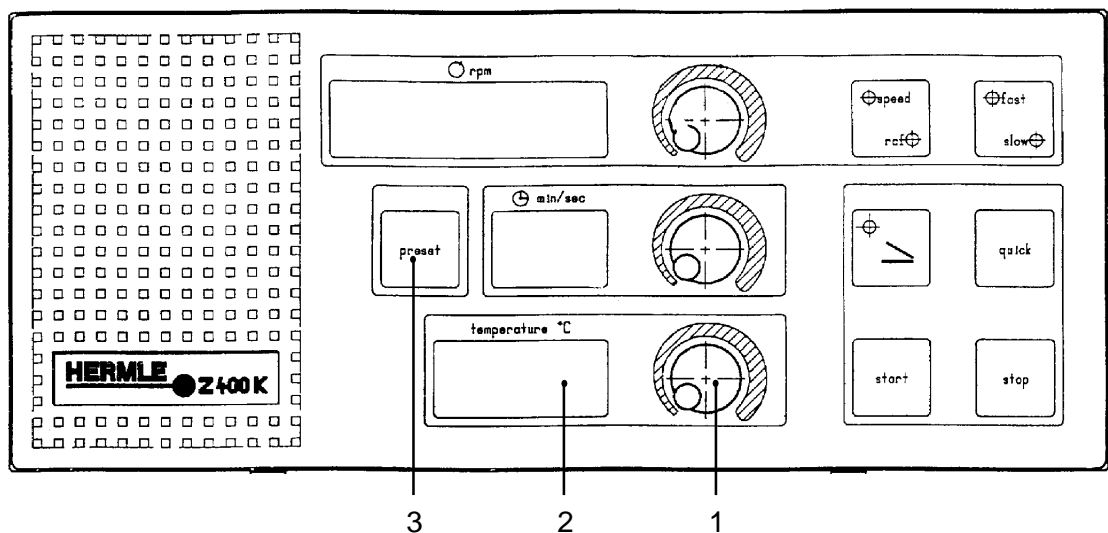
Pre-cooling:

To avoid considerable temperature deviations at the beginning of an operation at low temperatures, pre-cool the centrifuge together with the rotor before insertion of the samples.

For pre-cooling please proceed as under:

1. Insert a rotor into the centrifuge and secure it correctly to the motor shaft.
2. Set the desired working temperature.
3. To shorten the pre-cooling process, set a speed which is about 20% of the maximum speed indicated for the rotor.
4. Start the centrifuge.
5. Within 10-15 minutes the centrifuge should reach the selected temperature.

Preselection of temperature:



With the centrifuge lid open, the temperature can be set with the knob (1).
With the centrifuge lid closed or during a run you have to press additionally key "preset" (3) to change or set the temperature.
The temperature can be preselected from -10°C up to +40°C.
With open lid the temperature display shows the preset temperature and with a closed lid or during a run the display shows the actual rotor temperature.

4.7 Preselection of brake intensity and acceleration

With key "fast/slow" (1) you have the choice between two steps of brake and acceleration intensity.

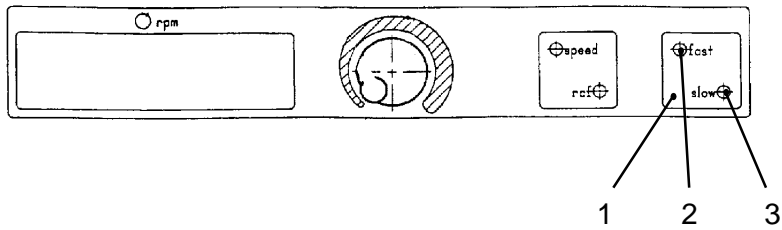
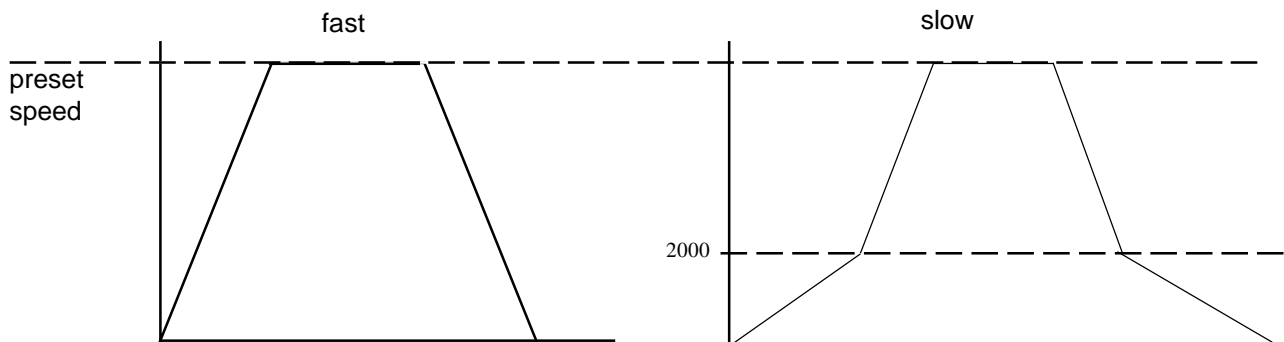


Figure 8

If the green control lamp "fast" (2) is lighting, the unit accelerates and decelerates fast.

If the green control lamp "slow" (3) is lighting, the unit accelerates and decelerates very softly.



4.8 Keyboard - Starting the centrifuge - "quick"-key

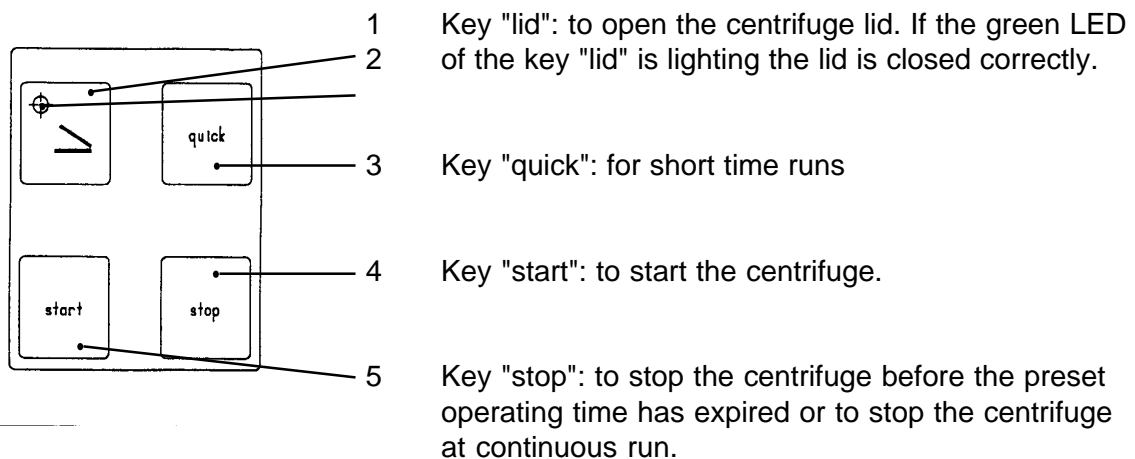


Figure 6

Starting the centrifuge

The rotor has to be fixed correctly and completely loaded (see point 3). Close the centrifuge lid. As soon as the green LED of the key "lid" is lighting the centrifuge can be started. Therefore press key "start".

"quick"-key - Short time runs

For short centrifuge runs you can start the run with the key "quick". Press the key "quick". The centrifuge starts and keeps running as long as you press the "quick"-key. The operating time will be indicated in seconds on the digital indication "time".

4.9 Key "stop"

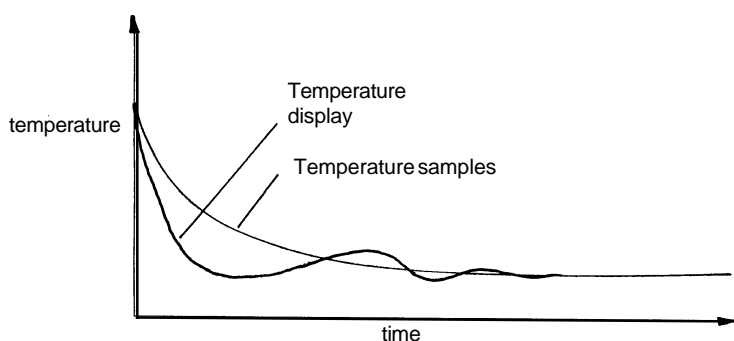
Press the key "stop" if you want to interrupt a centrifuge run. The centrifuge decelerates according to the adjusted brake intensity.

5. Temperature Features

5.1 Temperature regulation

The temperature regulation with sensor, refrigeration system and processor control system is spread in a way that the adjusted temperature gets reached within the shortest possible time. This time depends on room temperature, temperature preselection, type of rotor and speed. During this regulation time deviations on the temperature indicator above or below the adjusted temperature may occur. Nevertheless rotor as well as samples get cooled continuously at the fixed value.

If you are working with temperature sensitive samples a pre cooling of rotor, eventually buckets and racks to corresponding temperature is necessary (see pre-cooling 4.6.)



6. Safety facilities

6.1 Imbalance

In case of unequal loading of opposite buckets/tube racks or tube-holes, the operation will be interrupted during the acceleration phase. The rotor will be decelerated to standstill. Additionally the error message "ERROR" appears on the preset display "speed".

If the actual display "speed" shows error no. 1, the difference in weight of the samples is too big. Fill the tubes and load the rotor as described under point 3.

If the actual display "speed" shows error no. 2, there can be several reasons for:

- The imbalance switch is not adjusted correctly.
- The imbalance switch is defective.

6.2 Overtemperature



The overtemperature control system protects your samples as well as the centrifuge. If the temperature in the rotor chamber of the centrifuge exceeds +50°C the preset display "speed" will indicate "ERROR". At the same time error no. 10 will be indicated on the actual display "speed". When the rotor is stationary, open the lid of the centrifuge and let the temperature in the rotor chamber cool down to +30°C.

Then re-start the centrifuge.

Should the same failure occur again, please call our service.

7. Service and Maintenance

7.1 Service and inspection of the centrifuge

Centrifuge service and inspection should be done regularly and only by authorized and qualified personnel.

Use only original spare parts!

7.2 Maintenance and cleaning

Maintenance

The maintenance of the centrifuge confines essentially to keeping clean the rotor chamber, the rotor and the accessories as well as to the regular lubrication at the rotor inserts bolts of the swing out rotor.

Vaseline, available in nearly each store, is the most suited lubricant. However, please ensure that the vaseline has to be free of resin and acid. The use of lubricants containing molykote and graphite is not allowed.

Please pay special attention to anodized aluminium parts. Breakage of rotors can be caused even by slight damages.

In case the rotor, buckets or tube racks get in touch with corrosive liquids, the respective spots and parts have to be cleaned carefully.

Corrosive liquids are for example:

- alkaline soap-solution
- alkaline amino
- strong acids
- solutions containing heavy metals
- waterfree and chlorinated solvents
- salt solutions e.g. sea-water

Cleaning:

The purpose of a thorough cleaning is, beside hygienical reasons, the avoidance of corrosion by soiling. In order to avoid the damage of anodized parts such as rotors, reduction plates ect., only neutral cleaning agents with a pH-value 6-8 should be used.

Never use an alkaline cleaning agent (pH > 8). After cleaning please ensure that all parts are dried thoroughly by hand or in a warm-air-cabinet (max. temperature +50°C).

It is recommended that all anodized aluminum parts are regularly treated with anti corrosion oil, so that their durability will be increased and the corrosion risk reduced.

By humidity and non hermetically closed samples, condensate (mist) may be formed. The condensate (mist) has to be removed regularly with a cloth from the rotor chamber.

7.3 Cleaning of centrifuge after breakage of glass tubes/glass bottles

With high g-values, there is a possibility that tube breakage will occur. Should this happen, the centrifuge, rotor, buckets, adapters and the rotor chamber must be thoroughly cleaned and all broken particles removed immediately.

If this is not done, they could scratch the protective coating of the rotor.

If the rotor chamber has not been properly cleaned, this will produce a fine black dust which can cause significant damage to the centrifuge chamber, rotor, buckets and the samples.

7.4 Disinfection

If, for example through tube breakage, infectious material is spilled into the centrifuge, the rotor, rotor chamber, buckets etc. should be disinfected !!!

Rotor and swing out buckets must not be autoclaved.

Rotor and rotor chamber should then be treated with a neutral disinfection agent, for example on formalin basis. A disinfectant spray should be used to thoroughly clean the rotor chamber, rotor, bucket, tube rack etc..

8. Breakdown

8.1 Emergency lid release

In case of power failure or any malfunction, the lid can be opened manually to protect your samples.

Please proceed as follows:

- Switch off the centrifuge and unplug the power cord.
- There is a plastic plug at the left side of the centrifuge housing. Behind that plastic plug there is a red cord.
- Remove the plastic plug and pull the red cord.

The lid can then be opened (see figure 15).

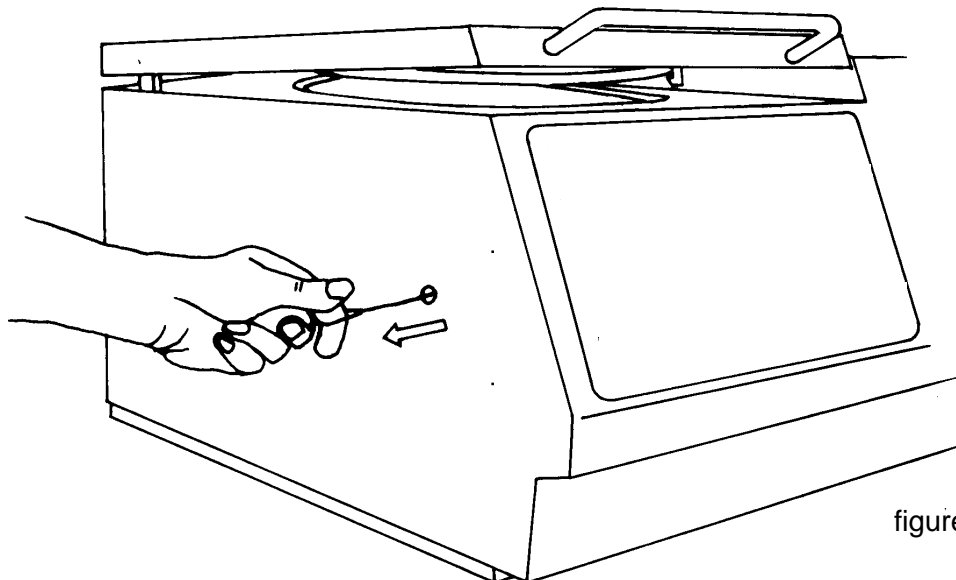


figure 15

8.2 Check list / Trouble shooting

The error message will be indicated by a certain number on the digital speed display. At the same time "ERROR" appears on the preset display.

There is a distinction between two different kinds of errors. The digits on the indication "speed" have the following meaning:

Error no. 1 - 49 (Forced stop)

If one of those errors occurs, the rotor will be braked from the preset speed to 0. As soon as the rotor has stopped, the error message can be reset by opening and closing the centrifuge lid.

Error no. 50 - 99 (Emergency stop)

If this occurs, the frequency converter will be switched off. This means that the rotor will be stopped brakeless. To reset the error message you have to plug off and plug in the power cord.

If the unit stops due to an error indication you should restart the unit to check if the error occurs again.

The error numbers which are not listed in this chapter are not in use at the time of publication and they are reserved for future use in widening the error recognition program.

Error no.: 1 Imbalance

<i>Reason:</i>	<i>Incorrect loading of the rotor</i>
----------------	---------------------------------------

Action:	Balance your samples
---------	----------------------

<i>Reason:</i>	<i>Incorrect adjustment of the imbalance switch</i>
----------------	---

Action:	Imbalance switch has to be readjusted (call service)
---------	--

Error no.: 2 Permanent imbalance signal

<i>Reason:</i>	<i>Position of the imbalance switch not correct</i>
----------------	---

Action:	Imbalance switch has to be readjusted (call service)
---------	--

<i>Reason:</i>	<i>Imbalance switch is defective</i>
----------------	--------------------------------------

Action:	Imbalance switch has to be replaced (call service)
---------	--

Error no.: 10 Overtemperature in the rotor chamber (more than + 50 ° C)

Reason: *Breakdown of the refrigeration system / Electronic failure*

Action: Call service

Reason: *Temperature sensor defective / Electronic failure*

Action: Call service

Error no.: 11 Temperature sensor

Reason: *Short circuit at the temperature sensor or at the sensor cable*

Action: Call service

Reason: *Chamber temperature is too low, below - 25°C*

Action: Solenoid valve is not working. Call service

Error no.: 20 No rotor identification

Reason: *No rotor inserted*

Action: Insert rotor into the unit

Reason: *Rotor identification sensor defective*

Action: Call service

Reason: *Inserted rotor has no indicator ring*

Action: Use a correct rotor

Reason: *Rotor is not fixed correctly to the motor shaft*

Action: Insert rotor correctly. The pins have to align correctly with the rotor slots (see chapter 3)

Error no.: 21 Start Bit is missing

Reason: *A magnet of the indicator ring is missing*

Action: Check indicator ring and call service

Error no.: 22 Rotor is not mentioned in the rotor chart

Reason: Rotor is not authorized for this unit

Action: Insert only rotors authorized for this unit

Error no.: 25 Power failure

Reason: Power failure while rotor is in motion

Action: Open and reclose the lid, restart the centrifuge

Error no.: 30 Radius correction

Reason: Radius correction value too big

Action: Adjust the radius correction to the correct value

Error no.: 36 Relay for the frequency converter cannot be released

Reason: Defect on the power board

Action: Call service

Error no.:50,51 Memory failure

Reason: Internal or external memory failure

Action: Restart the unit, if the failure occurs again, call service

Error no.: 55 Overspeed

Reason: Overspeed sensor or engine speed sensor defective

Action: Call service

Error no.: 60 Engine speed sensor signal is missing

Reason: Engine speed sensor defective or parting of a cable at the sensor

Action: Call service

Error no.: 70 Interface of the frequency converter

Reason: *Communication of controller, power board, interface cable and frequency converter is not working*

Action: Call service

Error no.: 82-83 Cutoff power board - frequency converter

Reason: *Overcurrent or undervoltage due to power supply fluctuations*

Action: Restart the unit, take care that the power supply is stable

Error no.: 84 Overtemperature at the driving

Reason: *Temperature at the converter or motor too high*

Action: Switch off the centrifuge. Wait for about 15 min. and switch the unit on again

Error no.: 85-87 Failures

Reason: *Internal defect*

Action: Call service

Error no.: 90 Emergency lid release

Reason: *The centrifuge lid has been opened by the emergency lid release during the run*

Action: Close centrifuge lid. Danger of accident!

Reason: *Control switch of the lid lock is defective*

Action: Call service

Error no.: 94 Voltage loss during run

Reason: *The power supply is below the tolerance for a short moment*

Action: Wait till stillstand of the rotor. Open centrifuge lid after the yellow LED "lid" is lighting. Switch off and on the main switch.